

BEFORE YOU START:

- STUDY THE PLANS, FIGURE OUT HOW MUCH LUMBER WILL BE NEEDED
- READ THE NOTES!
- DRY MOCK UP UNIT BEFORE ASSEMBLING
- MEASURE TWICE, CUT ONCE
- ALWAYS CHECK FOR SQUARE WHILE ASSEMBLING
- KNOW THE DIFFERENCE BETWEEN THE NOMINAL AND ACTUAL SIZE OF THE LUMBER

ORDER OF ASSEMBLY:

1. MEASURE, CUT AND LABEL ALL PIECES
2. MARK MEASUREMENTS
3. ASSEMBLE EACH SIDE INDEPENDENTLY
4. ATTACH TOP PIECE
5. CHECK FOR SQUARE!

TOOLS:

- PENCIL
- EYE AND EAR PROTECTION
- TAPE MEASURE
- CARPENTER SQUARE
- IMPACTER AND DRILL WITH $\frac{3}{32}$ " BIT
- OR PNEUMATIC NAILER
- CHOP SAW

MATERIALS:

- WOOD GLUE
- 3" SCREWS (MINIMUM)
- OR 3" NAILS (MINIMUM, FOR PNEUM. NAILER)
- 2 x 4 LUMBER (NOMINAL SIZE)
(NOTE: ACTUAL SIZE IS 1.5" x 3.5")

ITEM: **DOUBLE DOOR FRAME**

NOTES: **READ ME**

SCALE: N/A

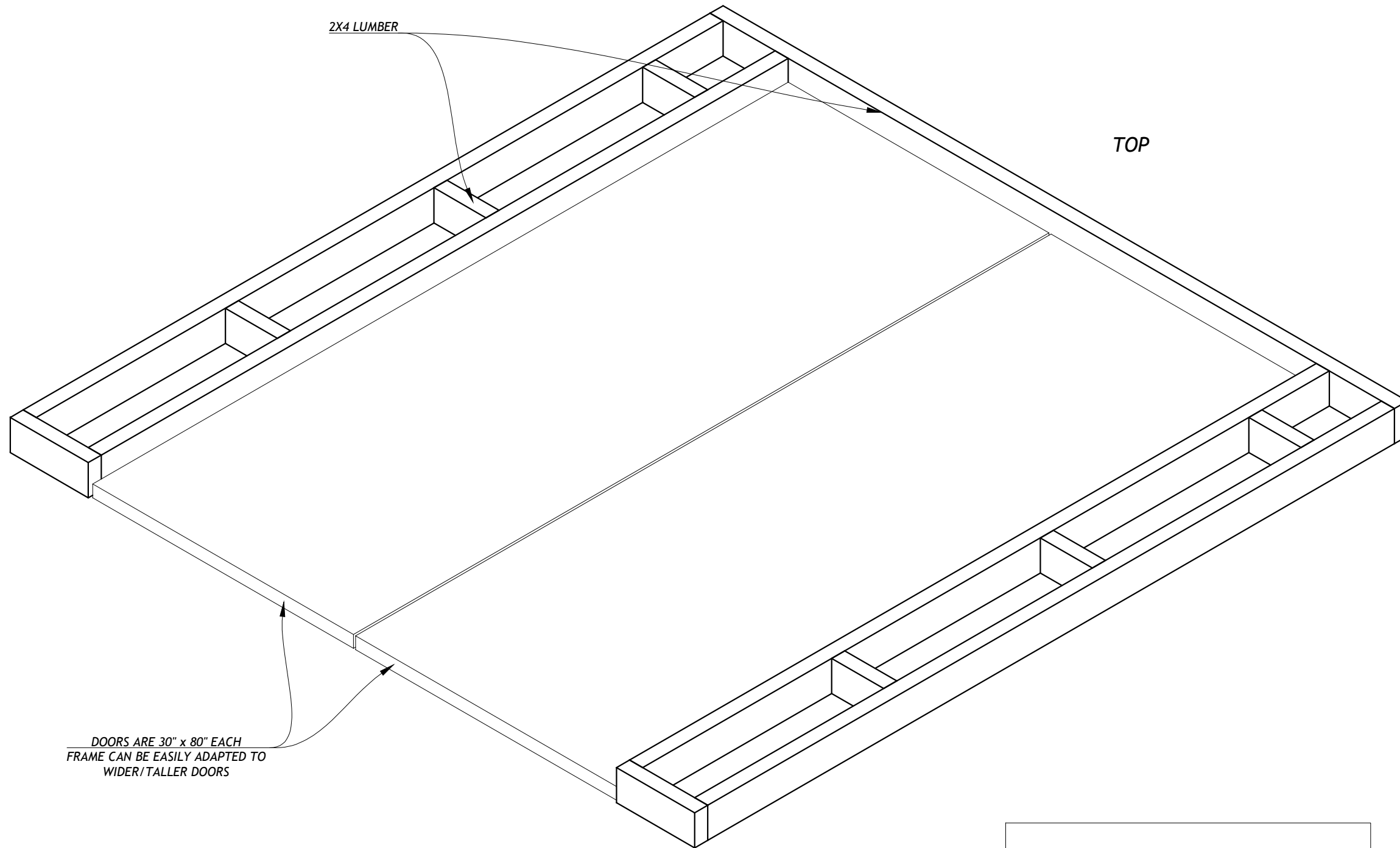
PRINT ON: 11 x 17

PAGE: 1 OF 4

DRAFTED BY:

www.ibuildtheater.com ©

VIEW: 3D



DOORS ARE 30" x 80" EACH
FRAME CAN BE EASILY ADAPTED TO
WIDER/TALLER DOORS

**IMPORTANT: FRAME MUST BE
SQUARE IN ORDER FOR THE
DOORS TO HANG CORRECTLY**

DISCLAIMER: This drawing is for information purposes only. While we endeavor to keep the information up to date and correct, we make no warranties of any kind, express or implied, about the completeness, accuracy, reliability, suitability or availability with respect to the plan. Any reliance you place on such information is therefore strictly at your own risk. In no event will ibuildtheater.com be held liable for any loss or damage including without limitation, indirect or consequential loss or damage, personal injury or death, arising from the use of this plan.

ITEM:

DOUBLE DOOR FRAME

NOTES:

- BUILD OUT OF 2 x 4 LUMBER
- FOR TWO 30" x 80" DOORS
- 1/4" GAP AROUND DOORS

- FRAME = USE 3" min FASTENERS
- IF USING SCREWS, ALWAYS PRE-DRILL
- USE WOOD GLUE

SCALE: NOT TO SCALE

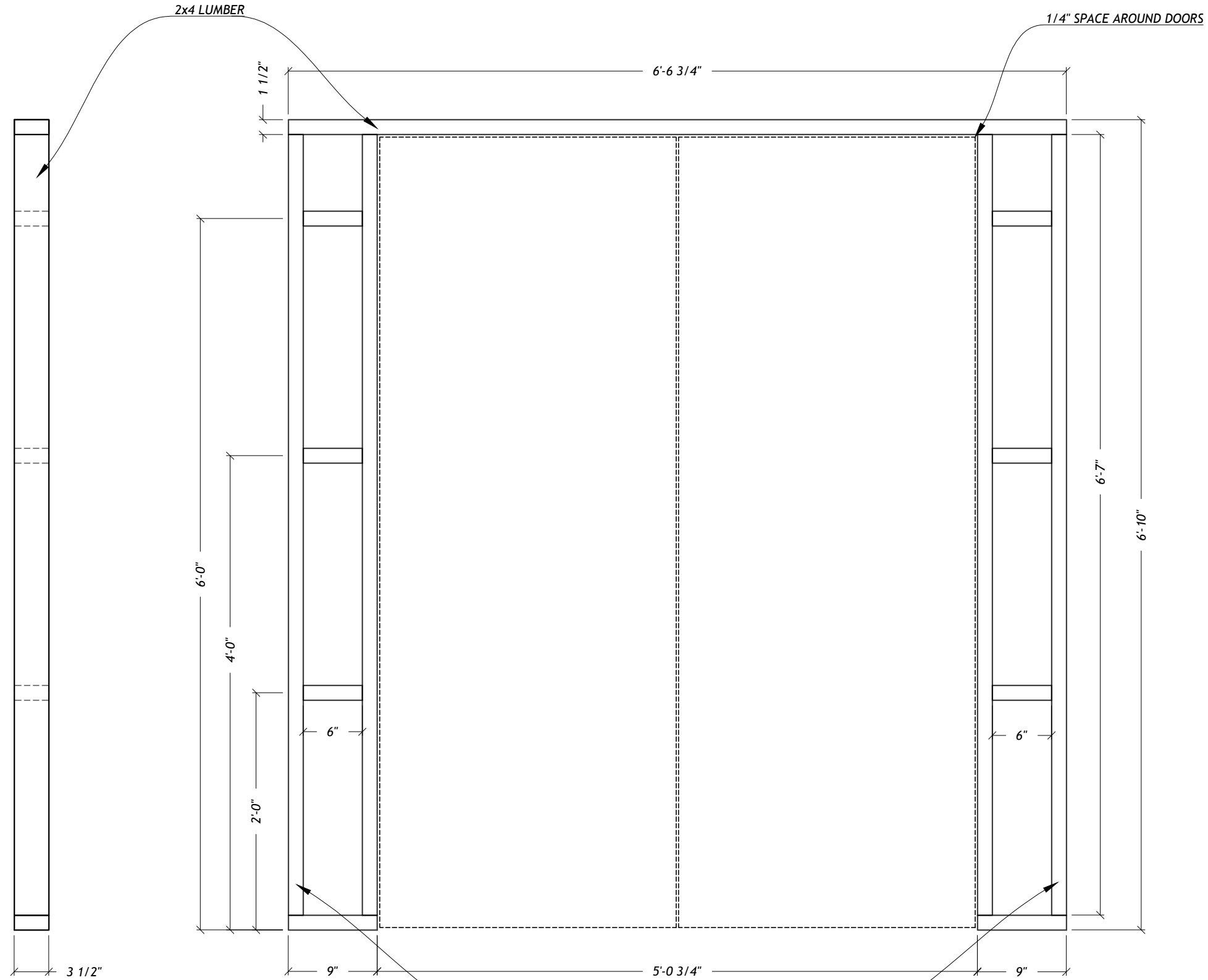
PRINT ON: 11" X 17"

PAGE: 2 OF 4

DRAFTED BY:

www.ibuildtheater.com ©

VIEW: SIDE & PLAN



PROTIP: USE A PIECE OF 6'-6 3/4" SCRAP WOOD AND SCREW TO FRONT OF FRAME TO MAINTAIN THE SQUARE WHILE INSTALLING DOORS

DISCLAIMER: This drawing is for information purposes only. While we endeavor to keep the information up to date and correct, we make no warranties of any kind, express or implied, about the completeness, accuracy, reliability, suitability or availability with respect to the plan. Any reliance you place on such information is therefore strictly at your own risk. In no event will ibuildtheater.com be held liable for any loss or damage including without limitation, indirect or consequential loss or damage, personal injury or death, arising from the use of this plan.

ITEM:

DOUBLE DOOR FRAME

NOTES:

- BUILD OUT OF 2 x 4 LUMBER
- FOR TWO 30" x 80" DOORS
- 1/4" GAP AROUND DOORS

- FRAME = USE 3" min FASTENERS
- IF USING SCREWS, ALWAYS PRE-DRILL
- USE WOOD GLUE

SCALE: 1" = 1'

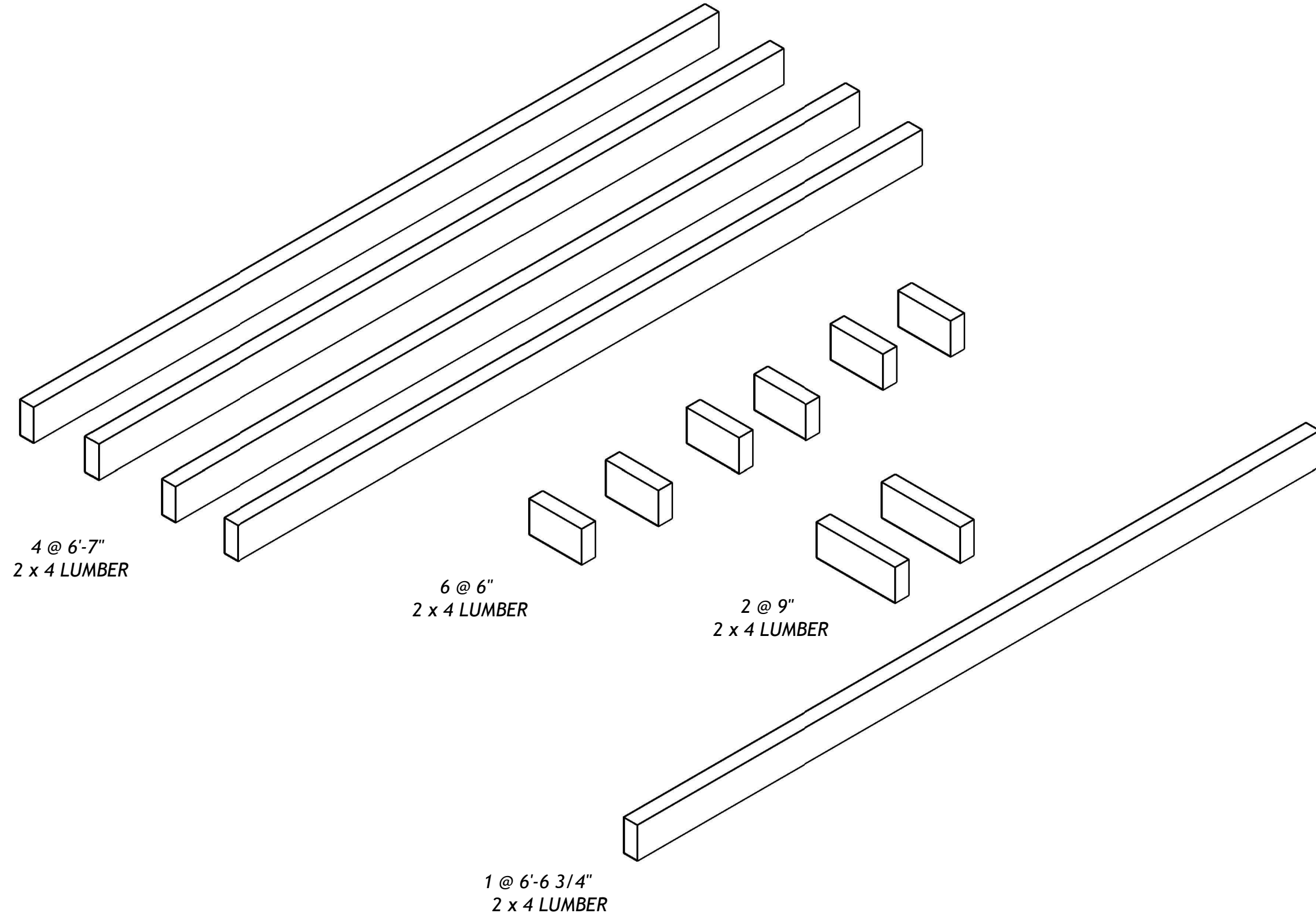
PRINT ON: 11" X 17"

PAGE: 3 OF 4

DRAFTED BY:

www.ibuildtheater.com ©

VIEW: CUT LIST



DISCLAIMER: This drawing is for information purposes only. While we endeavor to keep the information up to date and correct, we make no warranties of any kind, express or implied, about the completeness, accuracy, reliability, suitability or availability with respect to the plan. Any reliance you place on such information is therefore strictly at your own risk. In no event will ibuildtheater.com be held liable for any loss or damage including without limitation, indirect or consequential loss or damage, personal injury or death, arising from the use of this plan.

SCALE: NOT TO SCALE	PRINT ON: 11" X 17"	PAGE: 4 OF 4	DRAFTED BY: www.ibuildtheater.com ©
ITEM: DOUBLE DOOR FRAME		- FRAME = USE 3" min FASTENERS	
NOTES:		- IF USING SCREWS, ALWAYS PRE-DRILL	
- BUILD OUT OF 2 x 4 LUMBER		- USE WOOD GLUE	
- FOR TWO 30" x 80" DOORS			
- 1/4" GAP AROUND DOORS			