

BEFORE YOU START:

1. **STUDY THE PLANS, FIGURE OUT HOW MUCH LUMBER WILL BE NEEDED**
2. **READ THE NOTES!**
3. **DRY MOCK UP UNIT BEFORE ASSEMBLING**
4. **MEASURE TWICE, CUT ONCE**
5. **ALWAYS CHECK FOR SQUARE WHILE ASSEMBLING**
6. **KNOW THE DIFFERENCE BETWEEN THE NOMINAL AND ACTUAL SIZE OF THE LUMBER**

ORDER OF ASSEMBLY:

1. **MEASURE, CUT AND LABEL ALL PIECES**
2. **USE WOOD GLUE ON ALL PIECES**
3. **ASSEMBLE AND ATTACH 1 x 3 PINE 'L' WITH CORNERBLOCKS ON BOTH SIDES (KEEP SQUARE!)**
4. **ATTACH MID BRACE WITH STRAPS (BOTH SIDES)**
5. **ASSEMBLE 1 x 5" PINE 'L' (KEEP SQUARE)**
6. **ATTACH 1 x 3 PINE 'L' TO CENTER OF 1 x 5" PINE 'L'**
7. **ATTACH ANGLED 1 x 3 PINE TO JACK**
8. **IF PINE IS WARPED, CLAMP UNTIL GLUE IS DRY**

TOOLS:

1. **PENCIL**
2. **EYE AND EAR PROTECTION**
3. **TAPE MEASURE**
4. **CARPENTER SQUARE**
5. **IMPACTER AND DRILL WITH 3/32 " BIT
OR PNEUMATIC STAPLER**
6. **CHOP SAW**

MATERIALS:

1. **WOOD GLUE**
2. **FOR FRAME =
1 1/2" SCREWS (ALWAYS PRE-DRILL)
OR 1 1/2" PNEUMATIC STAPLES**
3. **FOR BLOCKS TO FRAME =
3/4" SCREWS (ALWAYS PRE-DRILL)
OR 3/4" PNEUMATIC STAPLES**
4. **1 x 3 PINE (NOTE: ACTUAL SIZE IS 3/4" x 2 1/2")**
5. **1 x 5" PINE (NOTE: ACTUAL SIZE IS 3/4" x 5")**
6. **1/4" LUAN BLOCKS**

ITEM:

2' x 8' JACK

NOTES:

READ ME

SCALE: N/A

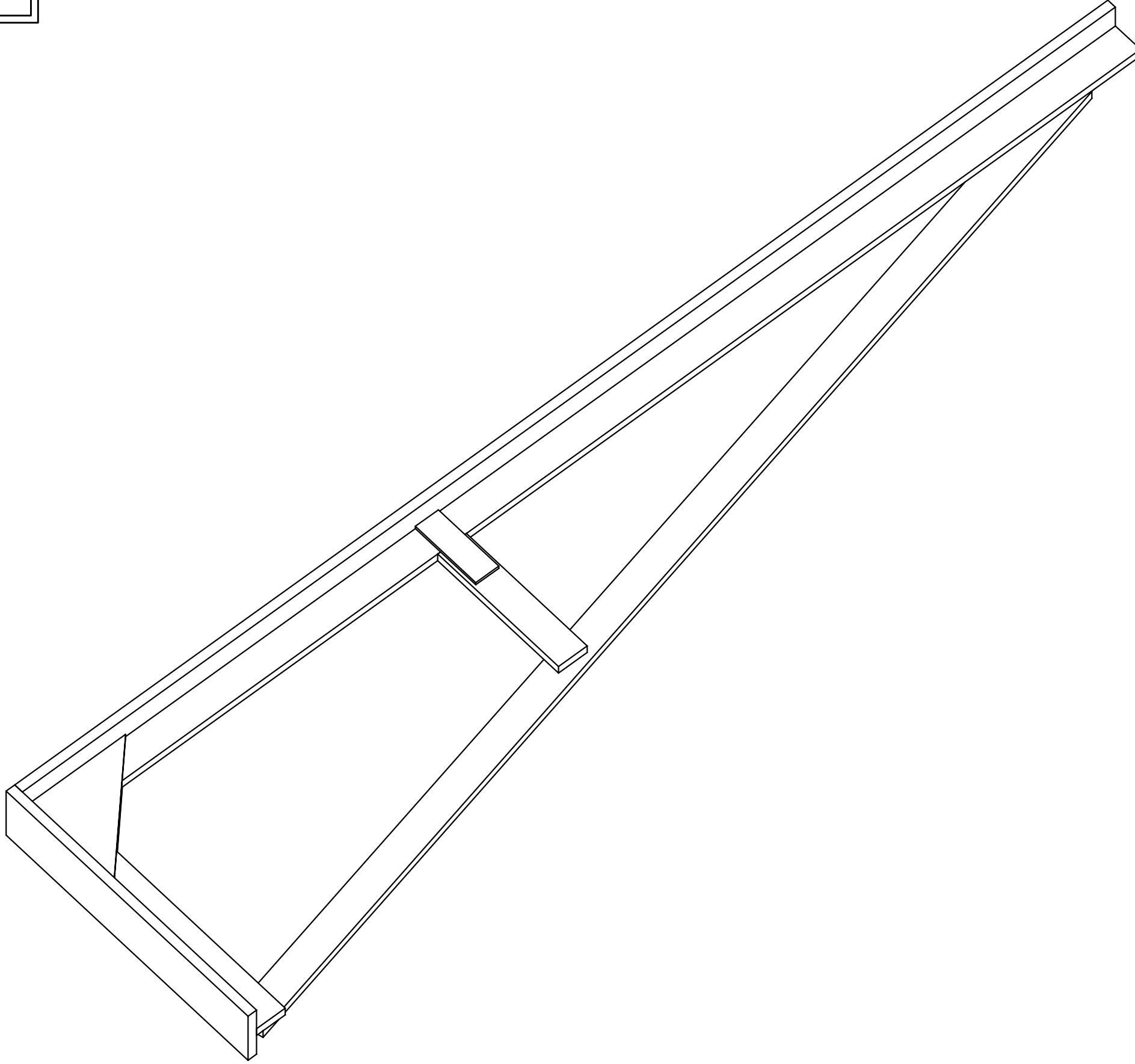
PRINT ON: 11 x 17

PAGE: 1 OF 6

DRAFTED BY:

www.ibuildtheater.com ©

VIEW: 3D



DISCLAIMER: This drawing is for information purposes only. While we endeavor to keep the information up to date and correct, we make no warranties of any kind, express or implied, about the completeness, accuracy, reliability, suitability or availability with respect to the plan. Any reliance you place on such information is therefore strictly at your own risk. In no event will ibuildtheater.com be held liable for any loss or damage including without limitation, indirect or consequential loss or damage, personal injury or death, arising from the use of this plan.

ITEM: **2' X 8' JACK**

NOTES:

- FRAME = 1 x PINE
- BLOCKS = 1/4" LUAN
- USE WOOD GLUE

- FRAME= 1 1/2" FASTENERS
- BLOCKS = 3/4" FASTENERS

SCALE: NOT TO SCALE

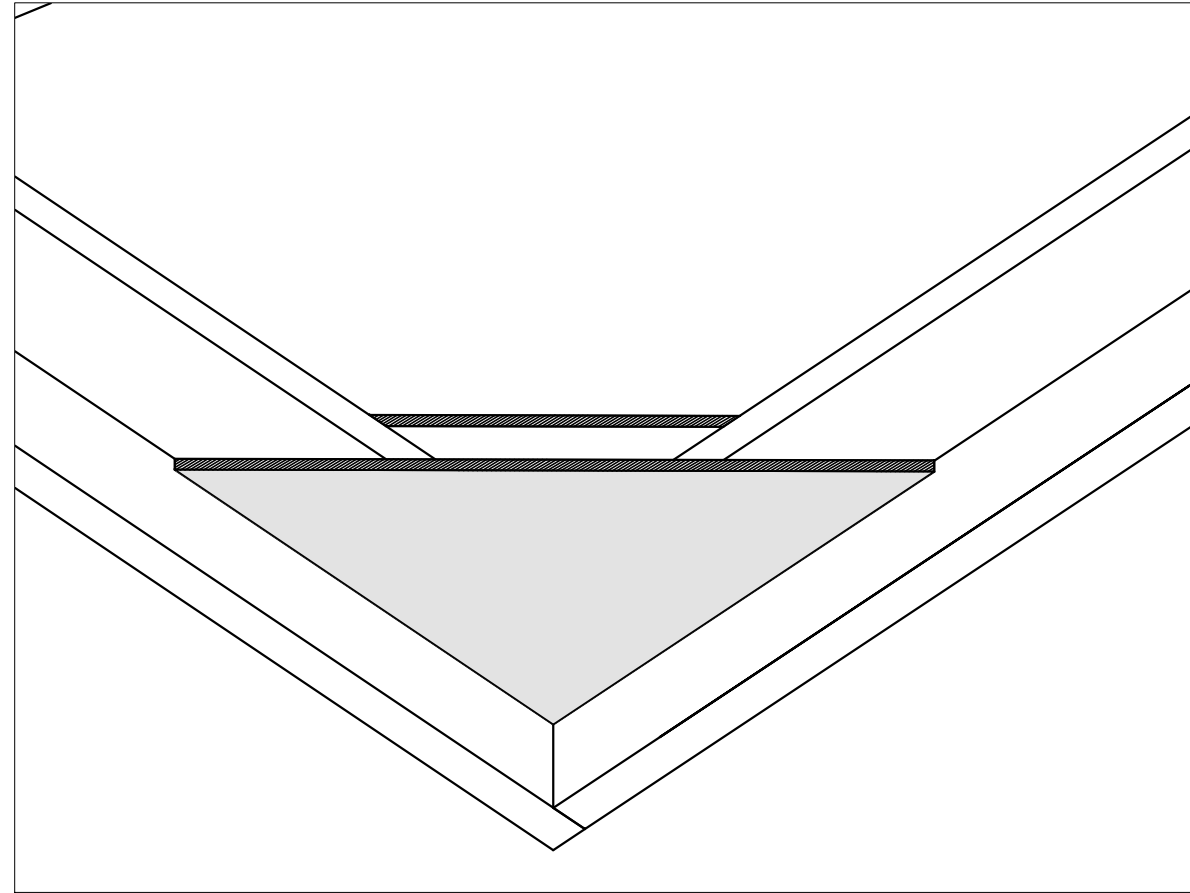
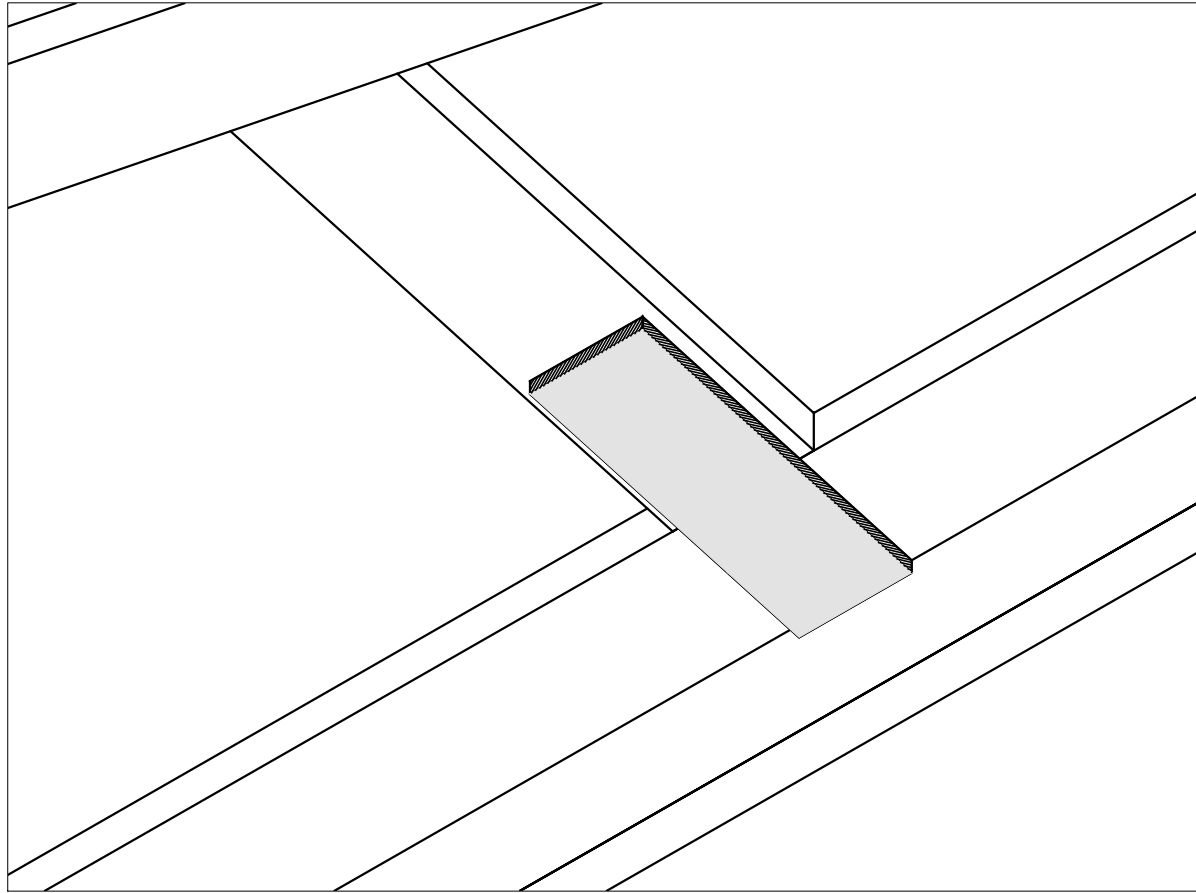
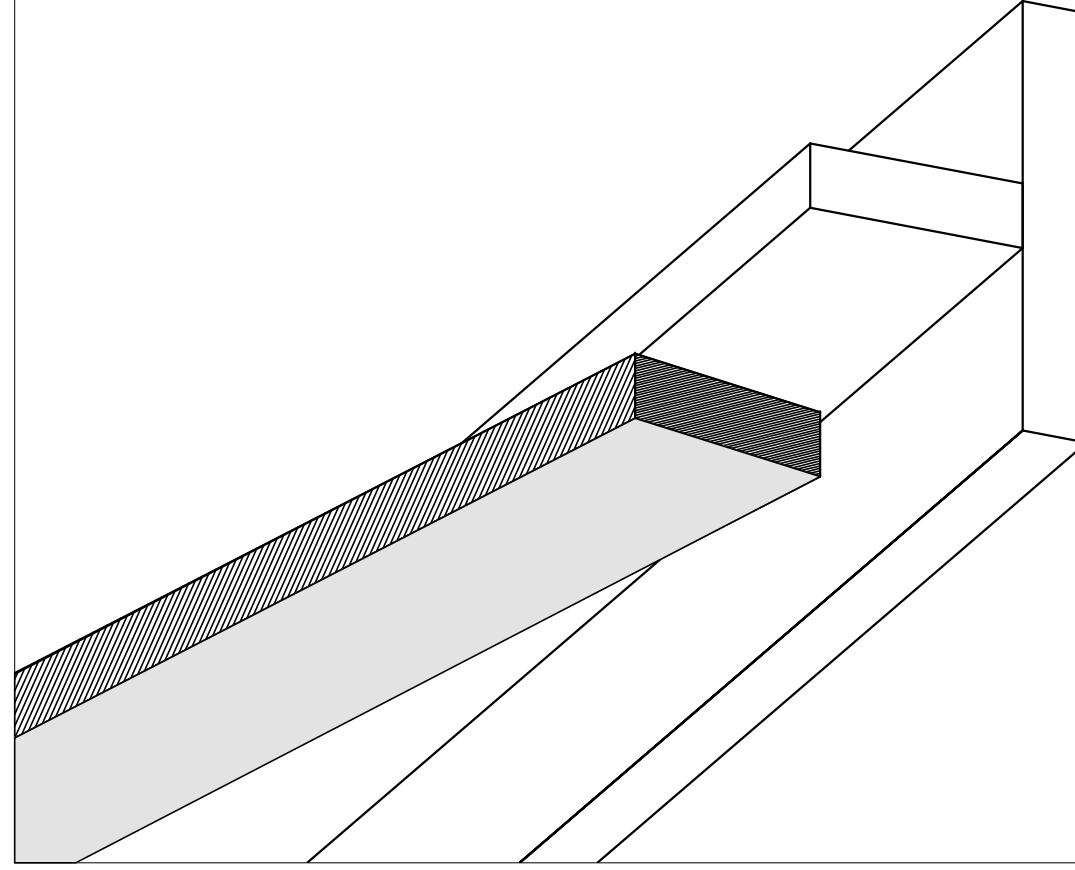
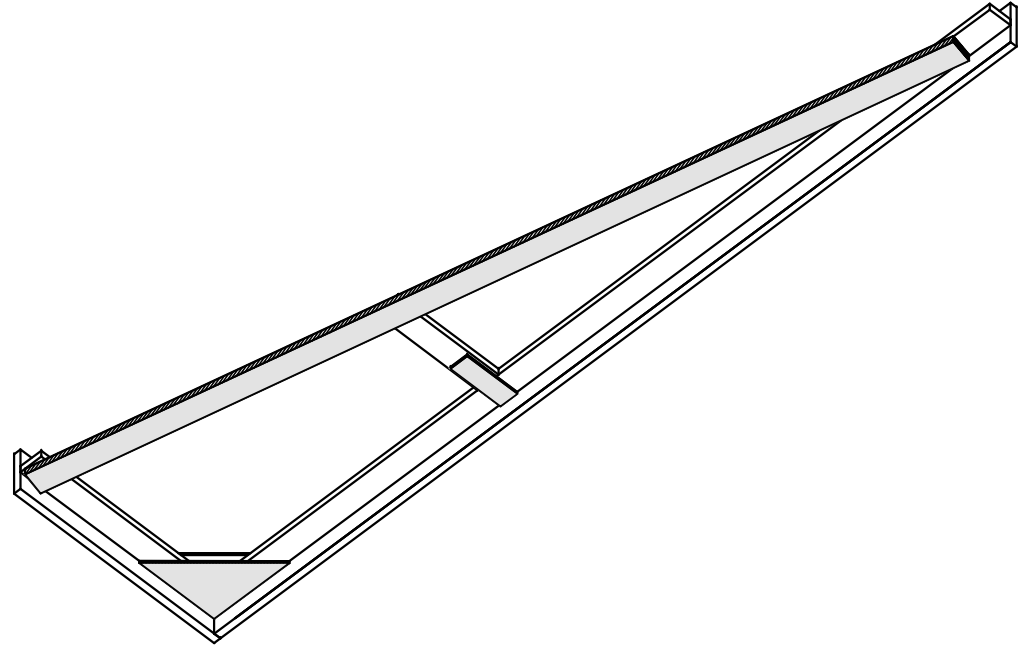
PRINT ON: 11" x 17"

PAGE: 2 OF 6

DRAFTED BY:

www.ibuildtheater.com ©

VIEW: 3D DETAILS



DISCLAIMER: This drawing is for information purposes only. While we endeavor to keep the information up to date and correct, we make no warranties of any kind, express or implied, about the completeness, accuracy, reliability, suitability or availability with respect to the plan. Any reliance you place on such information is therefore strictly at your own risk. In no event will ibuildtheater.com be held liable for any loss or damage including without limitation, indirect or consequential loss or damage, personal injury or death, arising from the use of this plan.

2' X 8' JACK

ITEM:

NOTES:

- FRAME = 1 x PINE
- BLOCKS = 1/4" LUAN
- USE WOOD GLUE

- FRAME = 1 1/2" FASTENERS
- BLOCKS = 3/4" FASTENERS

SCALE: NOT TO SCALE

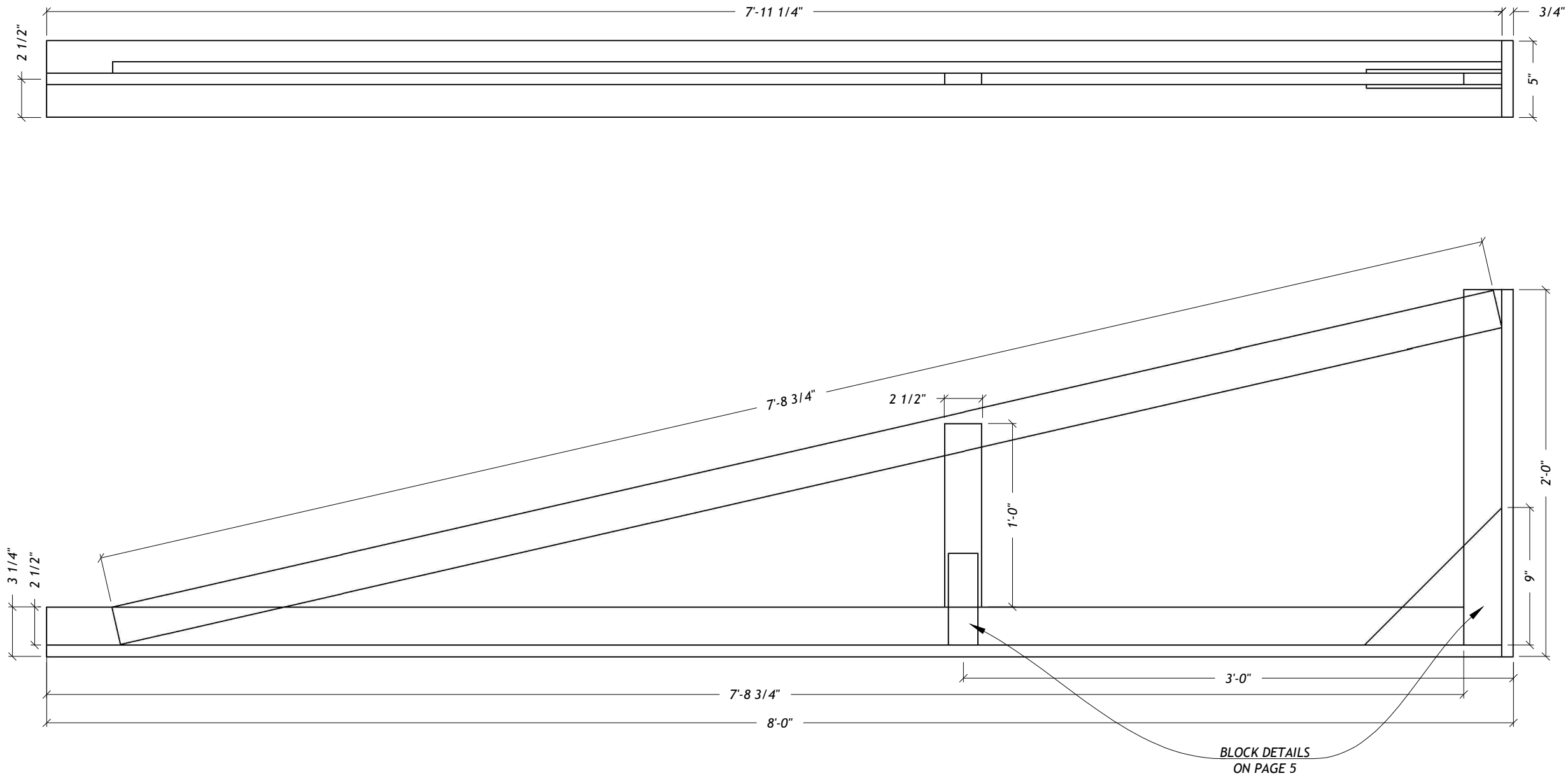
PRINT ON: 11" x 17"

PAGE: 3 OF 6

DRAFTED BY:

www.ibuildtheater.com ©

VIEW: PLAN & SIDE



DISCLAIMER: This drawing is for information purposes only. While we endeavor to keep the information up to date and correct, we make no warranties of any kind, express or implied, about the completeness, accuracy, reliability, suitability or availability with respect to the plan. Any reliance you place on such information is therefore strictly at your own risk. In no event will ibuildtheater.com be held liable for any loss or damage including without limitation, indirect or consequential loss or damage, personal injury or death, arising from the use of this plan.

ITEM: 2' X 8' JACK

SCALE: 1 1/2" = 1'

PRINT ON: 11" x 17"

PAGE: 4 OF 6

DRAFTED BY:

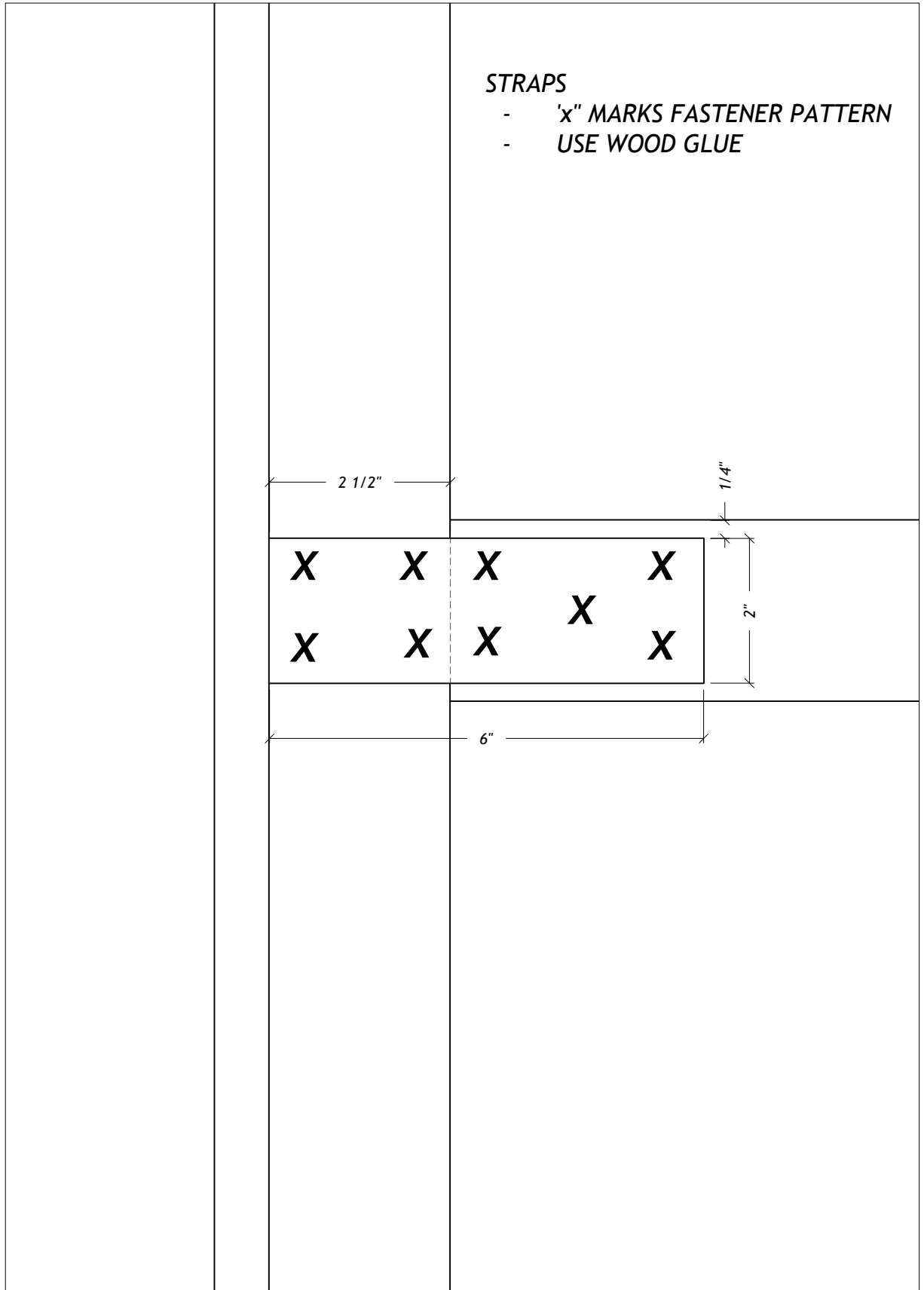
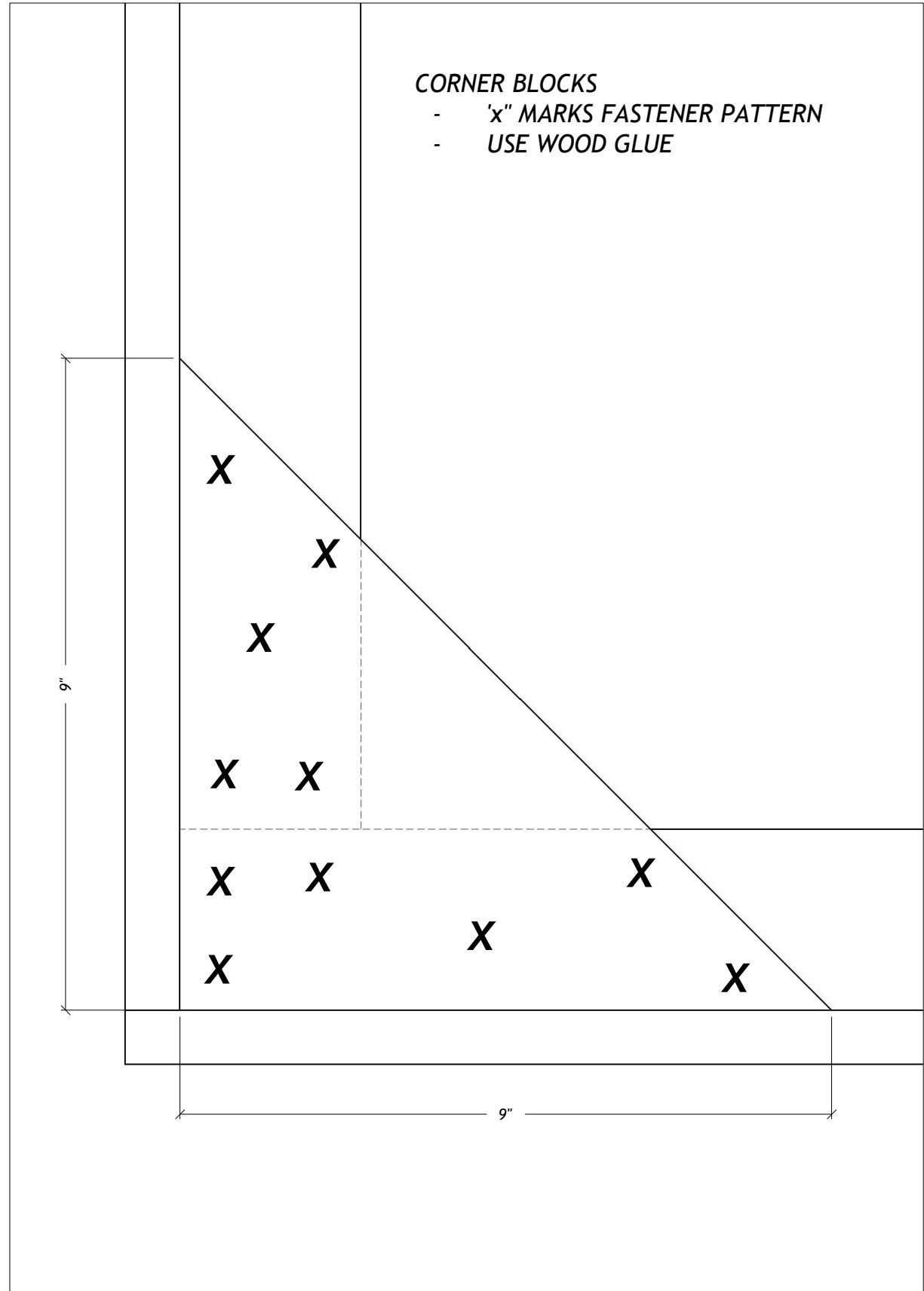
www.ibuildtheater.com ©

NOTES:

- FRAME = 1 x PINE
- BLOCKS = 1/4" LUAN
- USE WOOD GLUE

- FRAME = 1 1/2" FASTENERS
- BLOCKS = 3/4" FASTENERS

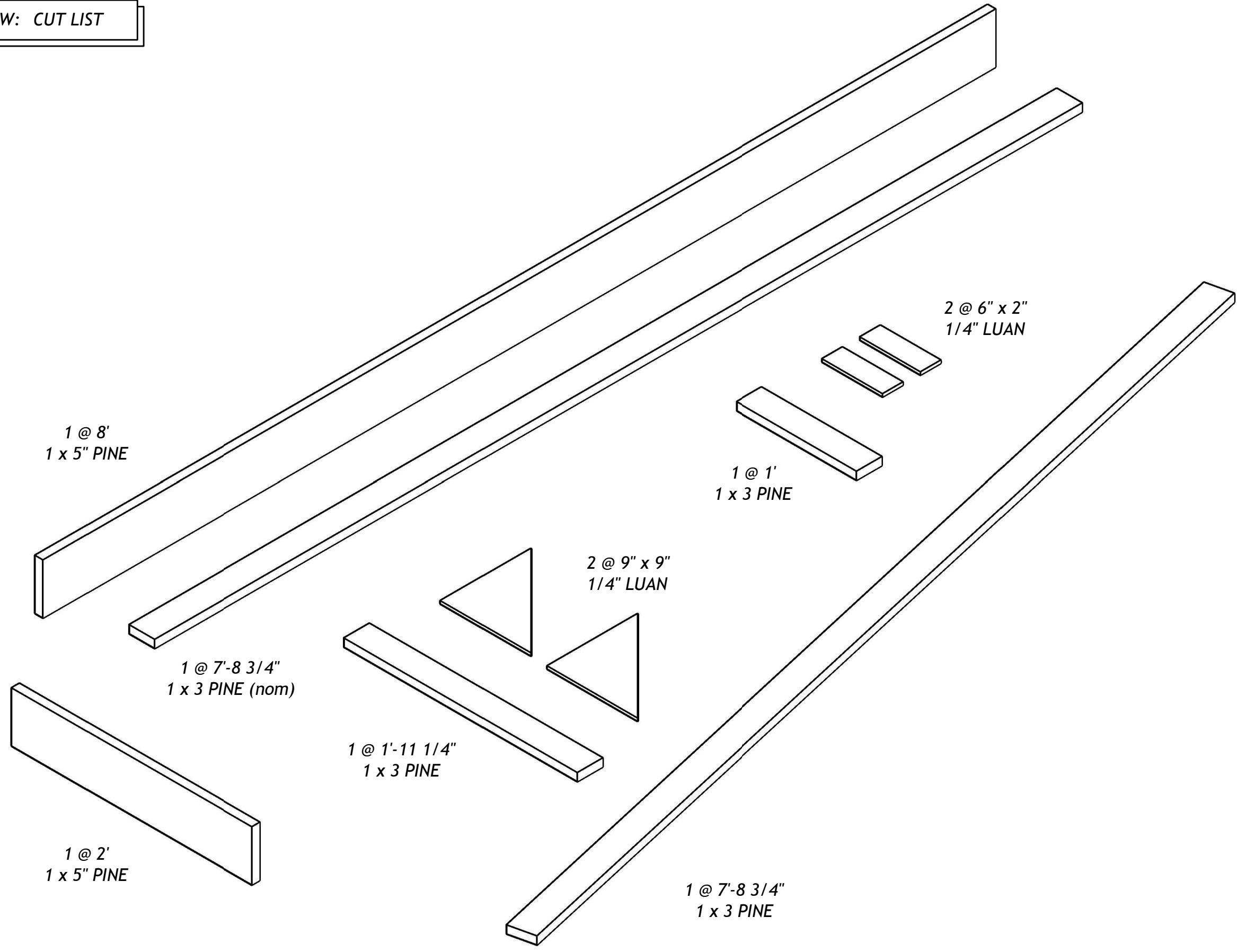
VIEW: BLOCK DETAIL



DISCLAIMER: This drawing is for information purposes only. While we endeavor to keep the information up to date and correct, we make no warranties of any kind, express or implied, about the completeness, accuracy, reliability, suitability or availability with respect to the plan. Any reliance you place on such information is therefore strictly at your own risk. In no event will ibuildtheater.com be held liable for any loss or damage including without limitation, indirect or consequential loss or damage, personal injury or death, arising from the use of this plan.

ITEM:	SCALE: 6" = 1'
	PRINT ON: 11" x 17"
NOTES:	PAGE: 5 OF 6
	DRAFTED BY: www.ibuildtheater.com ©
2' X 8' JACK	
<ul style="list-style-type: none"> - FRAME = 1 x PINE - BLOCKS = 1/4" LUAN - USE WOOD GLUE - FRAME = 1 1/2" FASTENERS - BLOCKS = 3/4" FASTENERS 	

VIEW: CUT LIST



DISCLAIMER: This drawing is for information purposes only. While we endeavor to keep the information up to date and correct, we make no warranties of any kind, express or implied, about the completeness, accuracy, reliability, suitability or availability with respect to the plan. Any reliance you place on such information is therefore strictly at your own risk. In no event will ibuildtheater.com be held liable for any loss or damage including without limitation, indirect or consequential loss or damage, personal injury or death, arising from the use of this plan.

SCALE: NOT TO SCALE	ITEM: 2' X 8' JACK
PRINT ON: 11" x 17"	
PAGE: 6 OF 6	NOTES: - FRAME = 1 x PINE - BLOCKS = 1/4" LUAN - USE WOOD GLUE
DRAFTED BY: www.ibuildtheater.com ©	